

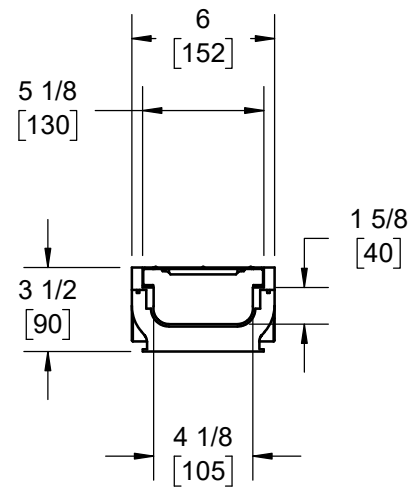
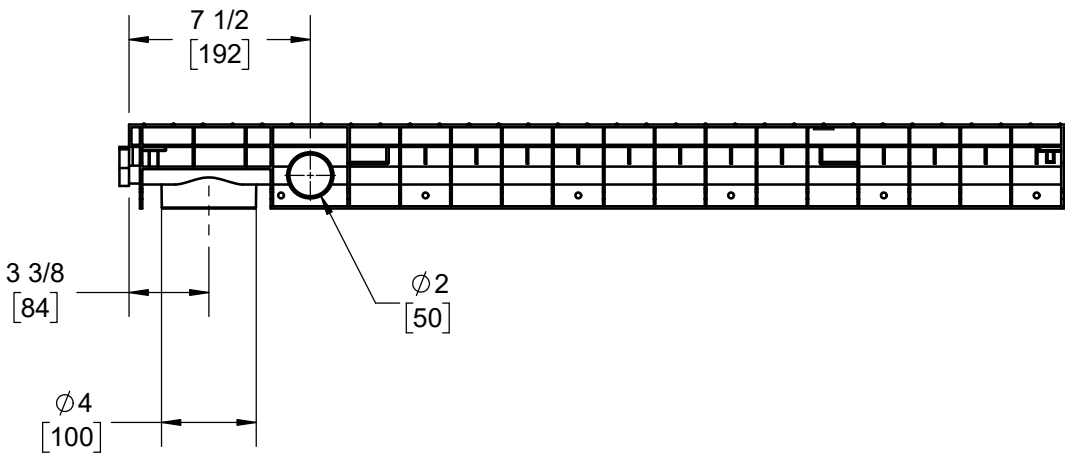
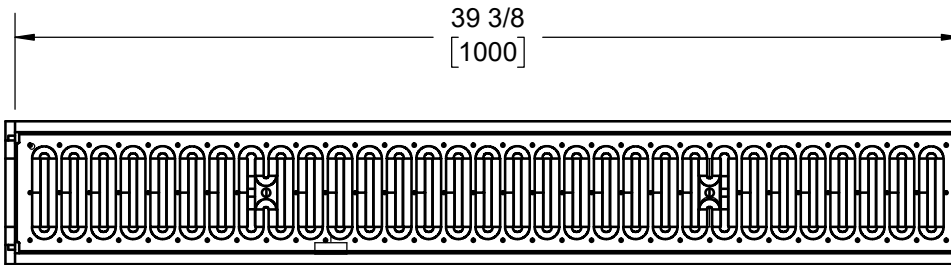
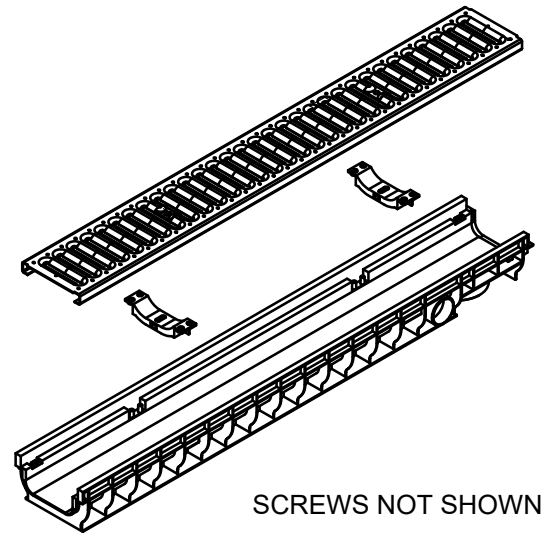
SPECIFICATION:

JOSAM SERIES TD-130-SS SHALLOW HDPE CHANNEL,
 STAINLESS STEEL (TYPE 304) CLASS "A" GRATE, AND (2)
 LOCKING BAR DEVICES.

**LITE LINE
 TRENCH DRAIN**

SERIES **TD-130-SS**

SLOT WIDTH: 11/32" [8.6]
 MEETS ADA REQUIREMENTS
 MAX. CONTINUOUS OPERATING TEMP.: 140°F



WARNING: Cancer and Reproductive Harm - www.P65Warnings.ca.gov

DATE OF LAST CHANGE: 11/14/19

DIMENSIONS ARE SUBJECT TO MANUFACTURERS
 TOLERANCES AND CHANGE WITHOUT NOTICE.
 WE CAN ASSUME NO RESPONSIBILITY FOR
 USE OF SUPERSEDED OR VOID DATA.



MICHIGAN CITY, INDIANA

NOTES