

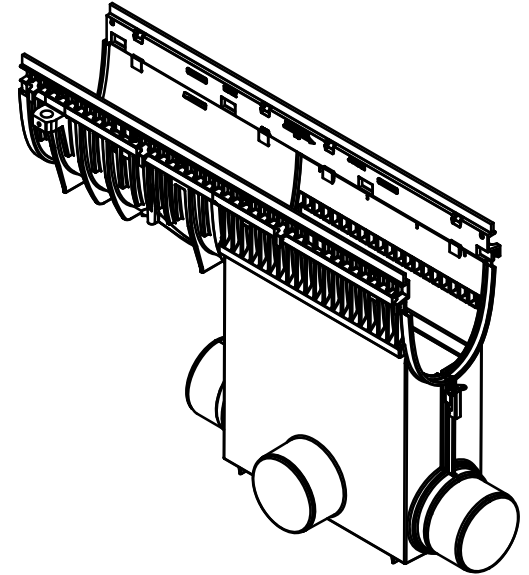
SPECIFICATION:

JOSAM 200CXX-SB SILT BOX WITH SEDIMENT BUCKET WITH SLOPE FOR USE WITH PRO-PLUS 200C SERIES 8" INTERNAL WIDTH TRENCH CHANNELS. MADE WITH SMC/GRP MATERIAL WITH PIPE CONNECTIONS.

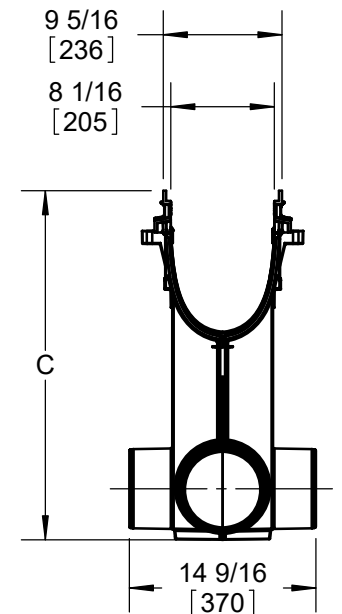
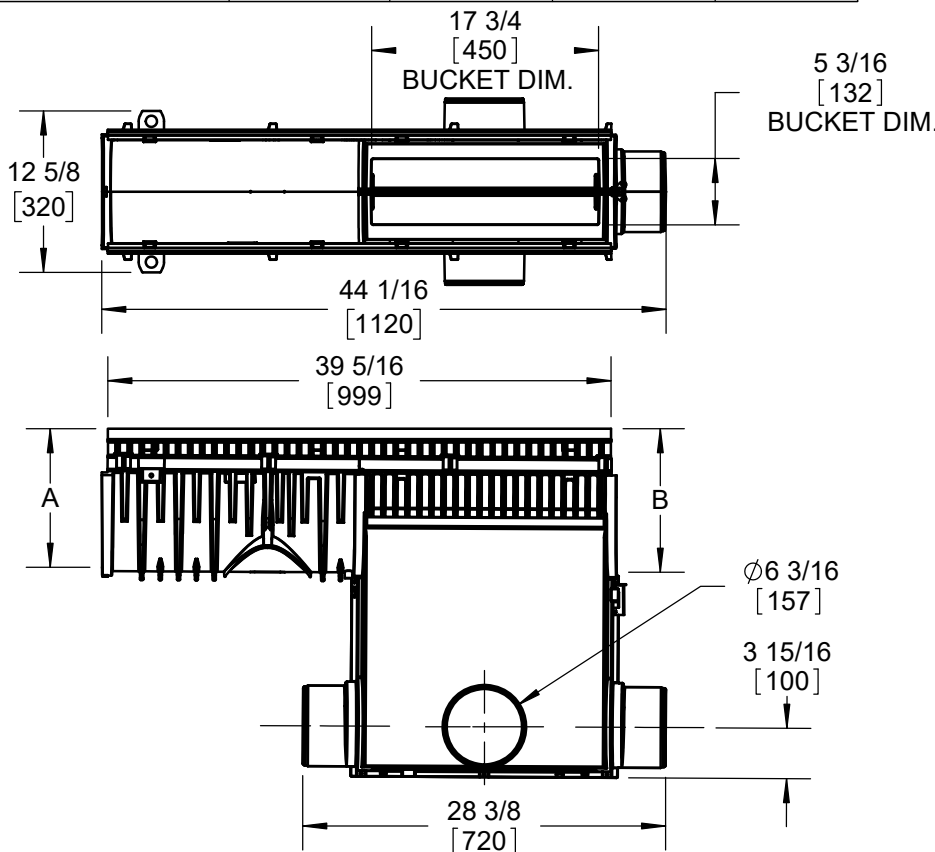
**PRO-PLUS
SILT BOX**

SERIES 200CXX-SB

PART NUMBER	DIM "A"	DIM "B"	DIM "C"	WEIGHT (LBS)
200C01-SB	10.8	11.0	26.3	36.9
200C02-SB	11.0	11.2	26.5	37.1
200C03-SB	11.2	11.4	26.7	37.3
200C04-SB	11.4	11.6	26.9	37.4
200C05-SB	11.6	11.8	27.1	37.6
200C05N-SB	11.8	11.8	27.1	37.8
200C06-SB	11.8	12.0	27.3	37.9
200C07-SB	12.0	12.2	27.5	38.1
200C08-SB	12.2	12.4	27.7	38.3
200C09-SB	12.4	12.6	27.9	38.5
200C10-SB	12.6	12.8	28.1	38.7
200C11-SB	12.8	13.0	28.3	41.6
200C12-SB	13.0	13.2	28.5	41.9
200C13-SB	13.2	13.4	28.7	42.2
200C14-SB	13.4	13.6	28.9	42.5
200C15-SB	13.6	13.8	29.1	42.7
200C15N-SB	13.8	13.8	29.1	42.8
200C16-SB	13.8	14.0	29.3	43.1
200C17-SB	14.0	14.2	29.5	43.3
200C18-SB	14.2	14.4	29.7	43.5
200C19-SB	14.4	14.6	29.9	43.7
200C20-SB	14.6	14.8	30.1	43.9



-SSE	STAINLESS STEEL EDGE
------	----------------------



WARNING: Cancer and Reproductive Harm - www.P65Warnings.ca.gov

DATE OF LAST CHANGE: 8/29/19

DIMENSIONS ARE SUBJECT TO MANUFACTURERS TOLERANCES AND CHANGE WITHOUT NOTICE. WE CAN ASSUME NO RESPONSIBILITY FOR USE OF SUPERSEDED OR VOID DATA.

JOSAM
MICHIGAN CITY, INDIANA

NOTES