

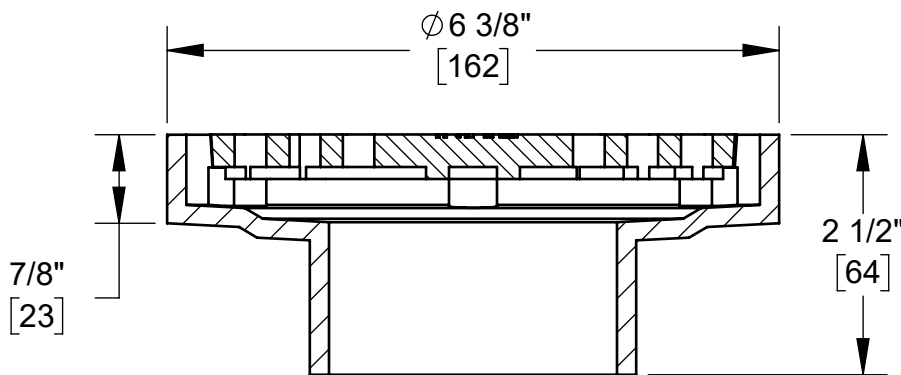
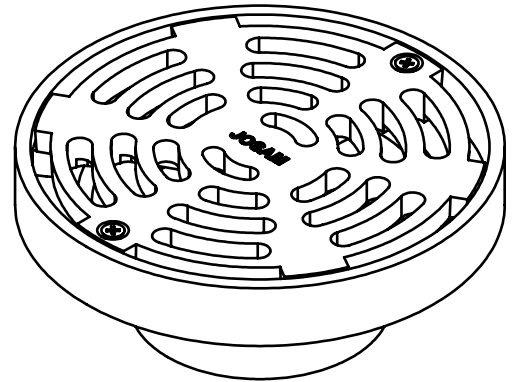
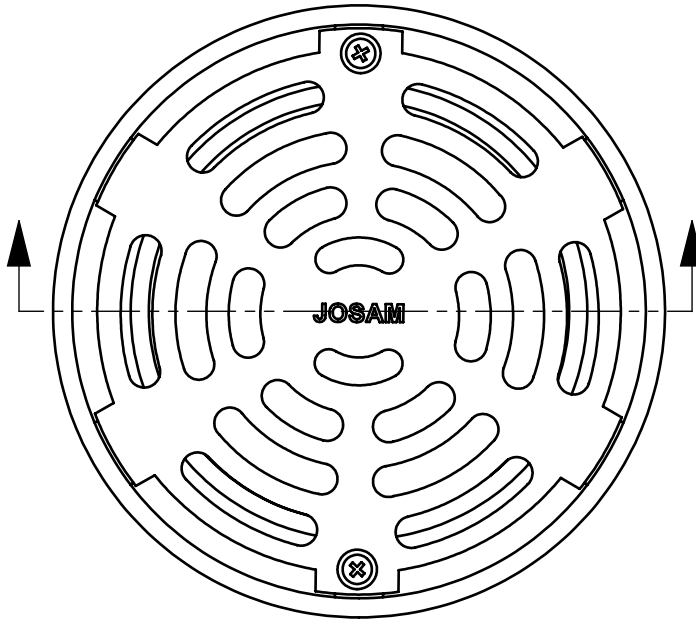
SPECIFICATION:

JOSAM SERIES FD-220 COATED CAST IRON FLOOR DRAIN WITH SLOTTED CAST IRON MEDIUM-DUTY SUPER-FLO GRATE AND BOTTOM OUTLET CONNECTION.

**FLOOR DRAIN
CAST IRON**

SERIES **FD-220**

SLOT WIDTH: 5/16" (MEETS ADA AND HEEL-PROOF REQS.)
FREE AREA = 11.7 IN²



	OUTLET	DESCRIPTION
	3"	NO-HUB
	2" -Y	PROVIDED WITH PUSH-ON GASKET

OPTIONS:

-TSI TRAP SEAL INSERT

WARNING: Cancer and Reproductive Harm - www.P65Warnings.ca.gov

DATE OF LAST CHANGE: 10/27/22 BDT

DIMENSIONS ARE SUBJECT TO MANUFACTURERS TOLERANCES AND CHANGE WITHOUT NOTICE. WE CAN ASSUME NO RESPONSIBILITY FOR USE OF SUPERSEDED OR VOID DATA.

JOSAM
MICHIGAN CITY, INDIANA

NOTES